

# Slim panca

design Matthias Demacker

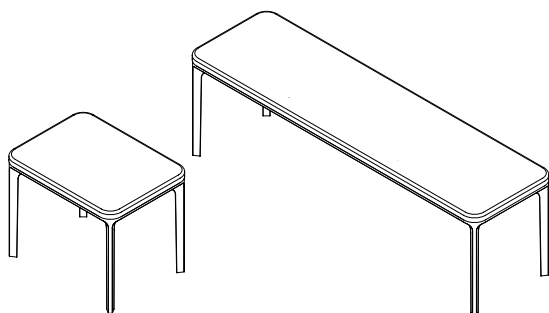
**Panca con gambe in alluminio pressofuso cromato o verniciato, varie finiture, e struttura con profilo in alluminio anodizzato o verniciato, varie finiture. Seduta in legno o rivestita in tessuto KVADRAT, pelle, ecopelle o ecopelle Nabuk.**

Bench with die-cast aluminium legs, polished chrome finish or lacquered, various finishes, and anodized or lacquered, various finishes, aluminium structure profile. Seat available in wood or covered in KVADRAT, leather, fake leather or Nabuk fake leather.

# SOVET

ITALIA

## FORME E DIMENSIONI / SHAPES AND DIMENSIONS



- 60x45x46h
- 180x45x46h
- 120x45x46h
- 200x45x46h
- 160x45x46h

Disponibili su richiesta le versioni con seduta in vetro, ceramica, hpl per indoor e outdoor.

Available upon request the versions with glass, ceramic or hpl seat for indoor and outdoor.

FINITURE STRUTTURA / STRUCTURE FINISHES	FINITURE TOP / TOP FINISHES				
Alluminio anodizzato / Anodized aluminium	LEGNO WOOD	NABUK	ECOPELLE FAKE LEATHER	PELLE LEATHER	KVADRAT
OA	RN/RG/WG/NC	Cat. R	Cat. EP	Cat. P	
<b>Alluminio laccato / Lacquered aluminium</b>					
GB GN GT GC BR					
<b>FINITURE GAMBE / LEGS FINISHES</b>					
<b>Alluminio cromato / Polished chrome aluminium</b>					
LC					
<b>Alluminio laccato / Lacquered aluminium</b>					
GB GN GT GC BR					