

# Deod glass

design by Gianluigi Landoni

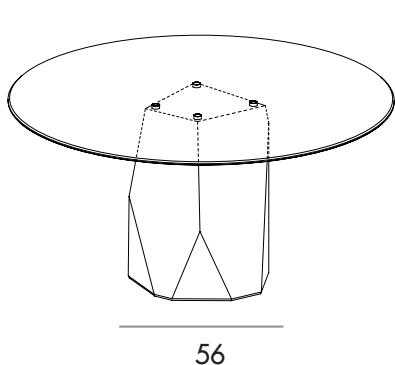
# SOVET

ITALIA

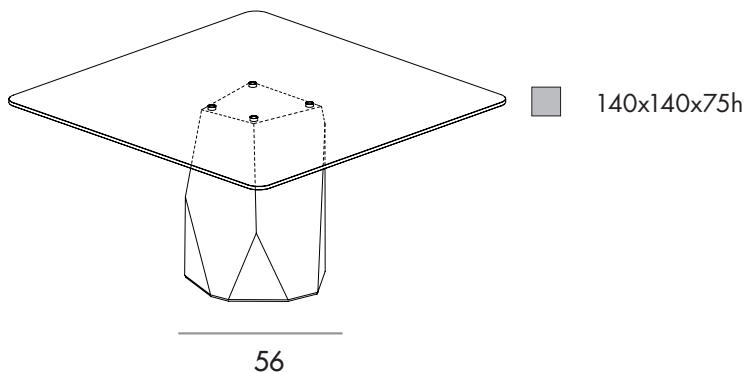
Tavolo con base in metallo verniciato disponibile in varie finiture. Top in vetro temperato extrachiaro trasparente, extrachiaro laccato, acidato, acidato laccato, fumé o bronzo. Piano disponibile anche nelle esclusive finiture MATERIA e LIQUID GLASS.

Dining table with lacquered metal base, various finishes. Top available in extralight clear, extralight lacquered, frosted, frosted lacquered, smoked or bronzed tempered glass. Top available also in the exclusive MATERIA and LIQUID GLASS finishes.

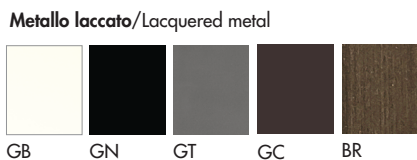
## FORME E DIMENSIONI / SHAPES AND DIMENSIONS



- Ø 130x75h
- Ø 140x75h
- Ø 150x75h
- Ø 170x75h



## FINITURE STRUTTURA / STRUCTURE FINISHES



TETE



TTF



TBTB

VETRO EXTR.  
EXTR. GLASS

TETE/TTF  
TBTB

Lacquered  
Cat. B/D

TEB1

TEC1

TEC2

TEC3

TER4

TEV2

TEN1

TEM6

TES1

## FINITURE TOP / TOP FINISHES

ACIDATO  
FROSTED

AEAE

AEAE

ACIDATO  
FROSTED

Lacquered  
Cat. E

AEB1

AEC1

AEC2

AEC3

AER4

AEV2

AEN1

AEM6

AES1

MATERIA

MESP/MBSP

MESP

MBSP

LIQUID GLASS

LFLF/LBLB

LFLF

LBLB

\* Top in ceramica laminato: 6 mm ceramica + 8 mm vetro

Laminated ceramic top: 6 mm ceramic + 8 mm glass

# Deod ceramic/wood

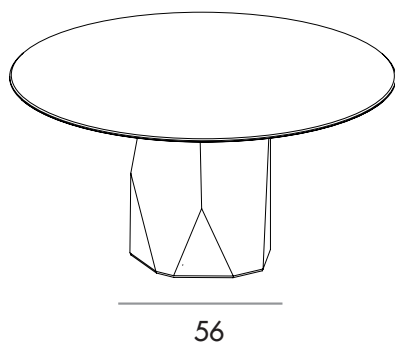
design by Gianluigi Landoni

**SOVET**  
ITALIA

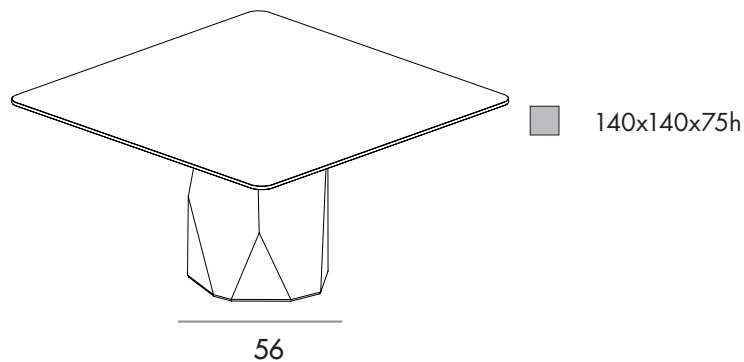
Tavolo con base in metallo verniciato disponibile in varie finiture. Top disponibile in legno o ceramica, varie finiture.

Dining table with lacquered metal base, various finishes. Top available in wood or ceramic, various finishes.

## FORME E DIMENSIONI / SHAPES AND DIMENSIONS

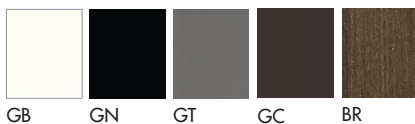


- Ø 130x75h
- Ø 140x75h
- Ø 150x75h



## FINITURE STRUTTURA / STRUCTURE FINISHES

Metallo laccato/Lacquered metal



## FINITURE TOP / TOP FINISHES

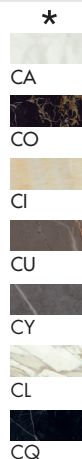
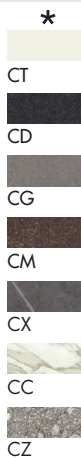
CERAMICA  
CERAMIC

LEGNO  
WOOD

CE1

CE2

RN/RG/WG/NC



★ Top in ceramica laminato: 6 mm ceramica + 8 mm vetro

Laminated ceramic top: 6 mm ceramic + 8 mm glass