

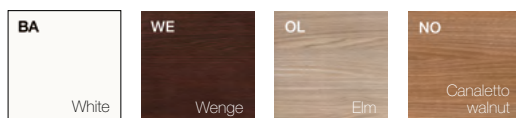


SPECIFICATION SHEET

MELAMINE TOPS FOR DESKS, MEETING & BOARDROOM TABLES

18mm easy to clean scratch-resistant anti-reflective melamine faced chipboard (MFC) floating top. 10mm high chamfered edges finished with 1.5mm impact resistant matching Abs. Both ends feature 10mm high 5mm thick polished aluminium trims recessed into the desk surface. Panel density: 670/730 kgs per cubic meter

Finish options:



LACQUERED MELAMINE TOPS FOR DESKS, MEETING & BOARDROOM TABLES

18mm scratch & abrasion resistant lacquered melamine faced chipboard (MFC) floating top. 10mm high chamfered edges finished with 1.5mm impact resistant matching Abs. Matt lacquers. Both ends feature 10mm high 5mm thick polished aluminium trims recessed into the desk surface. Panel density: 670/730 kgs per cubic meter

Finish options:

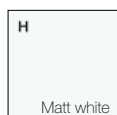


Production lead time: 5 weeks exclusive of delivery time.
Apart from the 18 shown finish options any RAL color can be made to order.

GLASS TOPS FOR DESKS, MEETING & BOARDROOM TABLES

10mm fingerprint-proof back painted tempered glass with a satin white finish. Floating top supported on stainless steel spacers. Polished edges and radius corners.

Finish options:



FRAMES



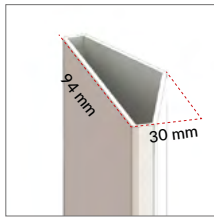
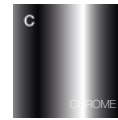
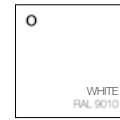
GOALPOST



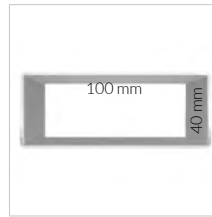
LOOP

Goalpost and Loop leg frame. Manufactured from epoxy powder coated or chromed steel.

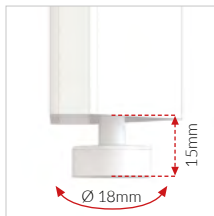
Finish options:



Legs made from 94x30mm pentagon-shaped 2mm steel tube.



Beams made from 100x40mm rectangular 1.5mm epoxy powder coated steel tube.



Goalpost leg frame: 0-15mm adjustable levelling feet made of polyethylene, 18mm diameter.



Loop leg frame: 0-13mm adjustable levelling feet made of polyethylene, 35mm diameter.

COMBINATION UNIT SUPPORTING RETURN TOP

Made of 18mm melamine faced chipboard (MFC) finished with 1.5mm matching straight impact resistant ABS edges. Spacious compartment at the back for power blocks and cables, access through a soft-close flap made from epoxy powder coated extruded aluminium, supplied with ABS end caps and brush strip. At the side of the user lower open shelf to place objects such as handbags, binders or a CPU.

3-drawer supporting pedestal, epoxy powder coated metal drawer boxes in silver, full extension ball bearing runners and soft close for silent drawer closing, pen drawer with partial extension roller runners.

COMBINATION UNIT SUPPORTING RETURN TOP - MATT LACQUER

Made of 18mm lacquered melamine faced chipboard (MFC) finished with 1.5mm matching straight impact resistant ABS edges. Spacious compartment at the back for power blocks and cables, access through a soft-close flap made from epoxy powder coated extruded aluminium, supplied with ABS end caps and brush strip. At the side of the user lower open shelf to place objects such as handbags, binders or a CPU.

3-drawer supporting pedestal, epoxy powder coated metal drawer boxes in silver, full extension ball bearing runners and soft close for silent drawer closing, pen drawer with partial extension roller runners.

Standard metal handle

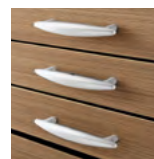
Zen



Chrome (Y)

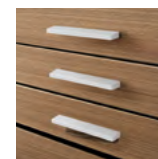
Optional metal handle

Pop



Chrome (K)

Zen

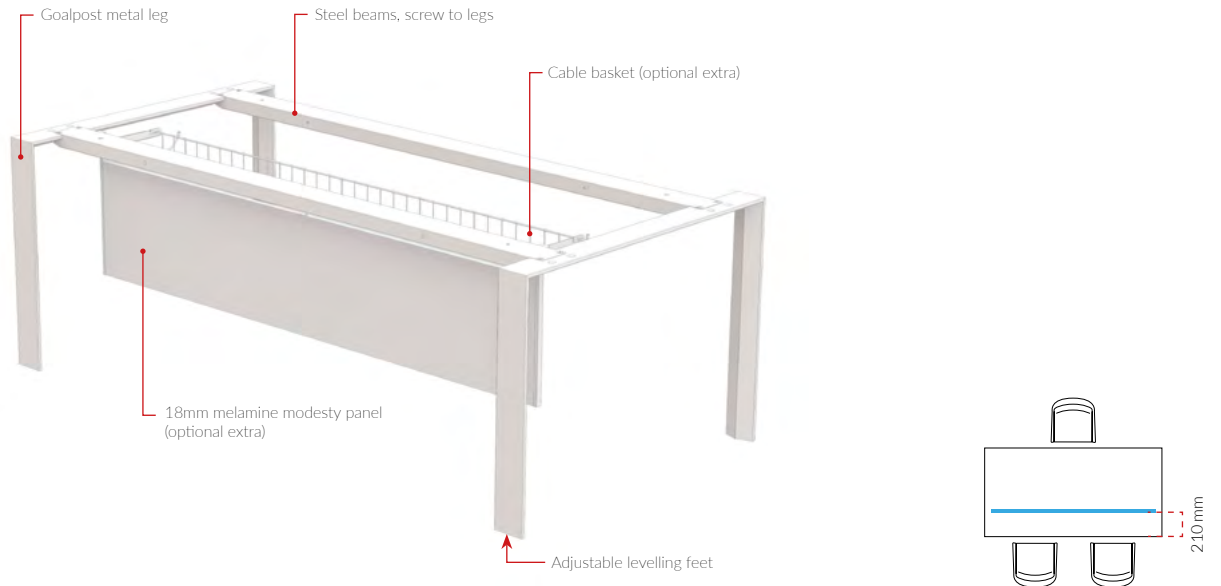


White (A)

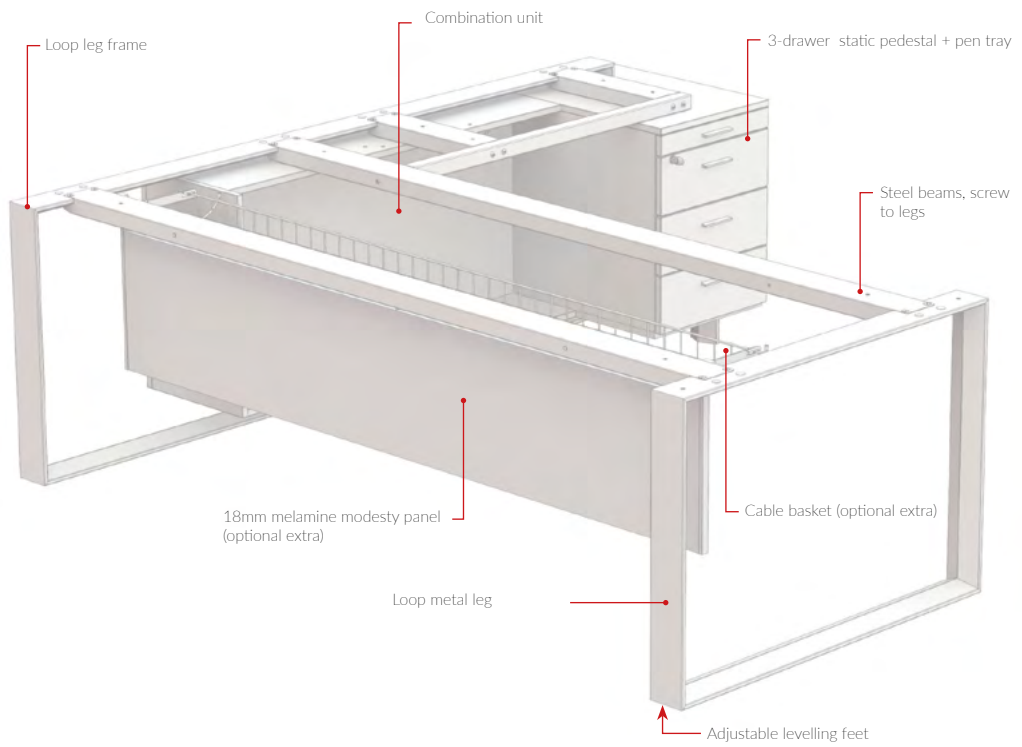
CABLE FLAP/BOX FOR MEETING/BOARDROOM TABLES

Flap opening from either side made from polished aluminium. Complete with matching ABS end caps and brush strip. Open ended cable box for power blocks.

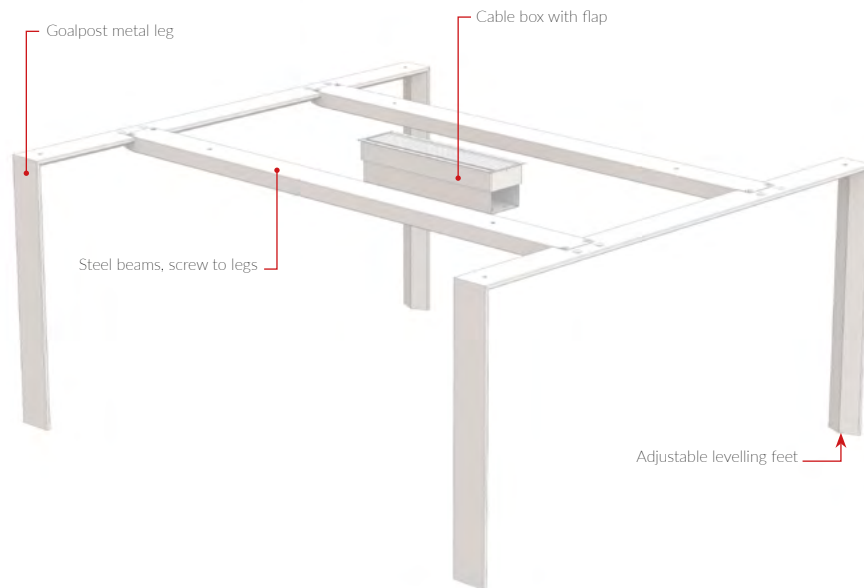
DESK - GOALPOST LEG FRAME



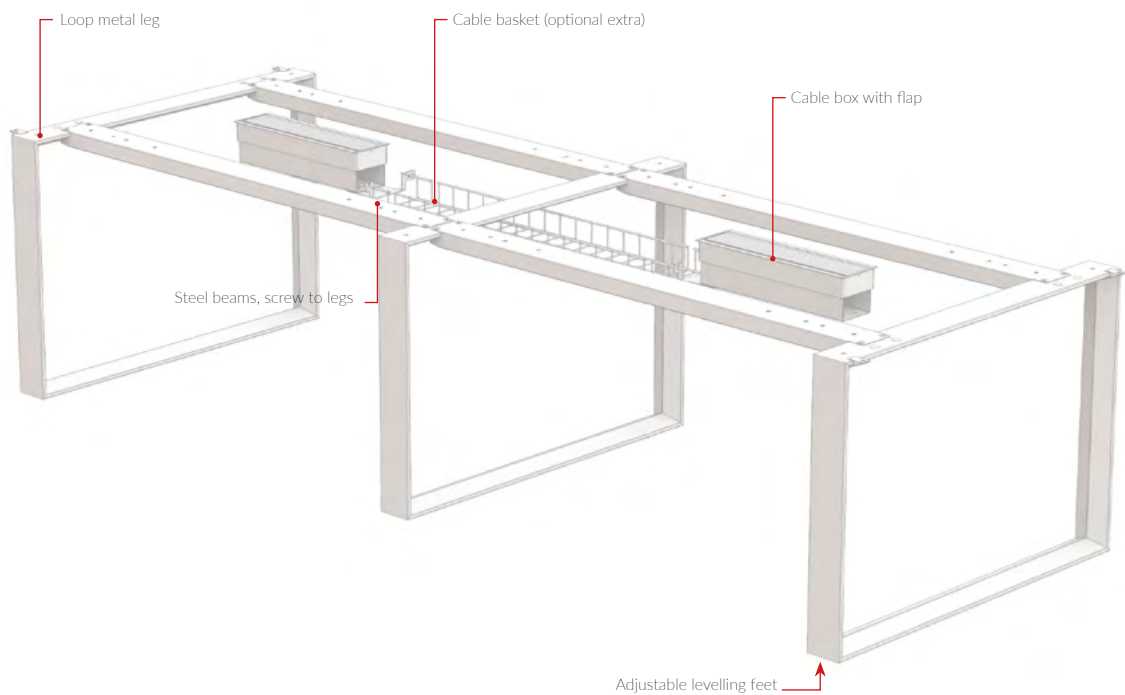
L-SHAPED DESK WITH LOOP LEG FRAME AND SUPPORTING COMBINATION UNIT



BOARDROOM TABLE CONFIGURATION - GOALPOST LEG

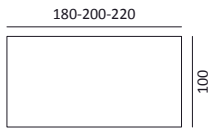


BOARDROOM TABLE CONFIGURATION - LOOP LEG

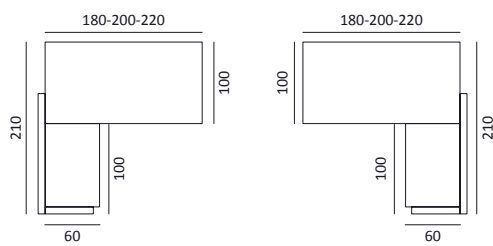


LAYOUT

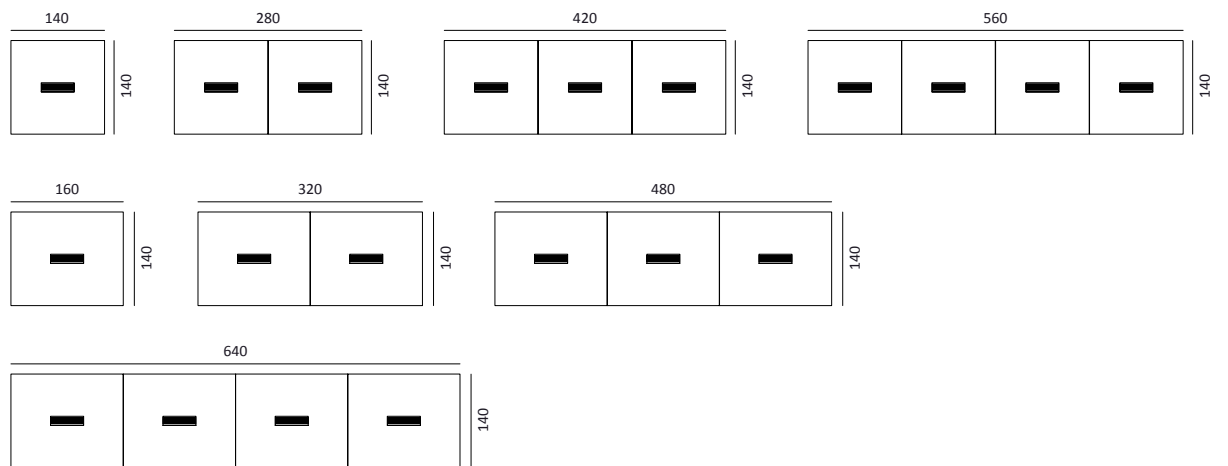
STRAIGHT DESK



L-SHAPED DESKS



MEETING/BOARDROOM TABLES

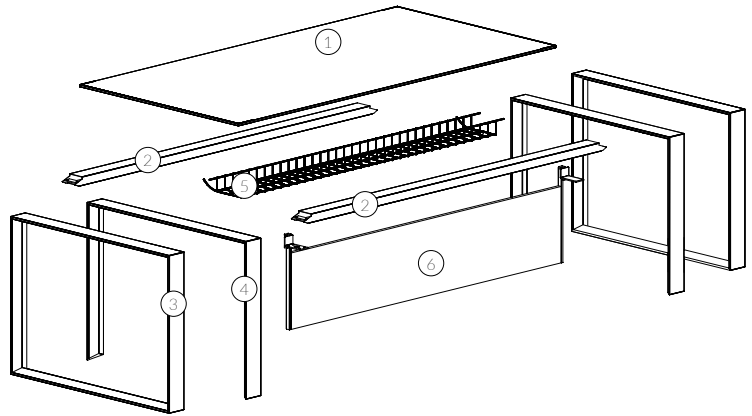


TECHNICAL FEATURES

DESKS

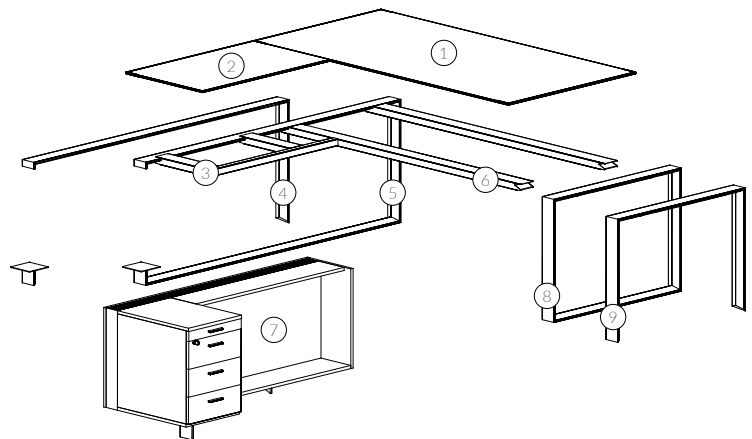
STRAIGHT DESK

- 1) 18mm melamine or 10mm glass top
- 2) Beams
- 3) Loop leg
- 4) Goalpost leg
- 5) Cable basket (optional extra)
- 6) 18mm melamine modesty panel (optional extra)



L-SHAPED DESK WITH SUPPORTING COMBINATION UNIT

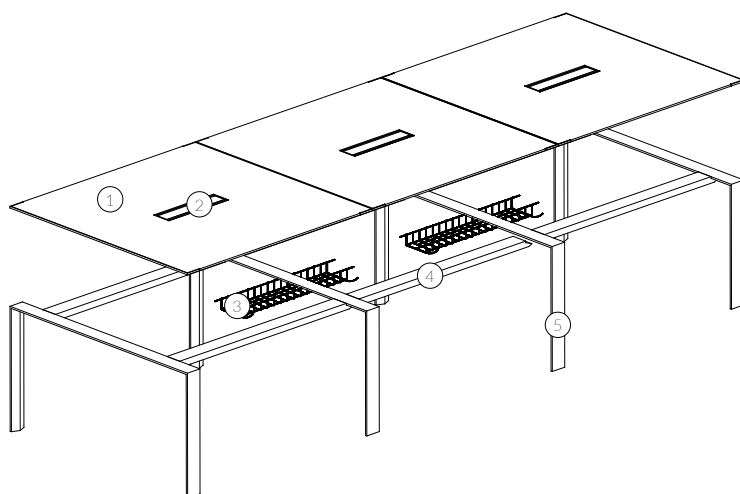
- 1) 18mm melamine or 10mm glass top
- 2) 18mm melamine or 10mm glass return top
- 3) Beams for return unit
- 4) Top and combination unit supporting Goalpost leg
- 5) Top and combination unit supporting Loop leg
- 6) Beams
- 7) Combination unit with static 3-drawer/pen drawer pedestal
- 8) Loop leg
- 9) Goalpost leg



MEETING/BOARDROOM TABLES

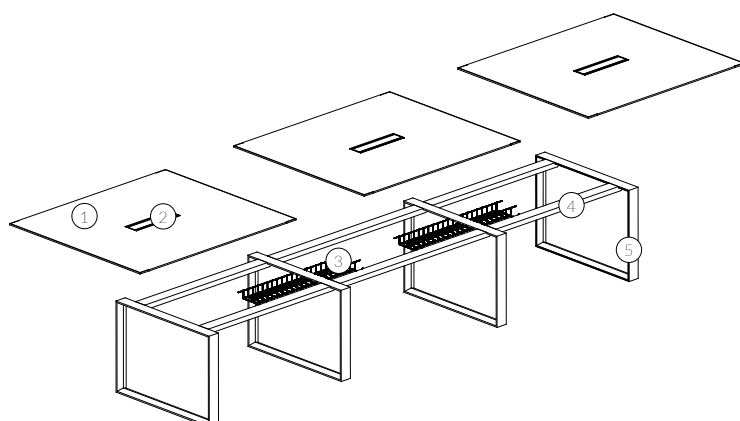
MEETING/BOARDROOM TABLES - GOALPOST LEG FRAME

- 1) 18mm melamine or 10mm glass top
- 2) Cable box with flap
- 3) Cable basket linking two adjacent flaps/boxes (optional extra)
- 4) Beams
- 5) Goalpost leg



MEETING/BOARDROOM TABLES - LOOP LEG FRAME

- 1) 18mm melamine or 10mm glass top
- 2) Cable box with flap
- 3) Cable basket linking two adjacent flaps/boxes (optional extra)
- 4) Beams
- 5) Loop leg



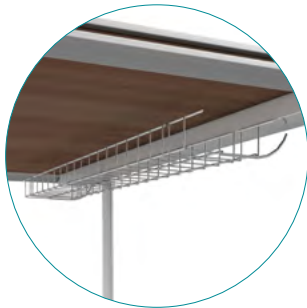
ACCESSORIES



ø60mm Abs grommet



Cable flap with open ended cable box under



Cable basket for using on desks



Cable basket for two-section tables or longer tables



Melamine modesty panel



Lacquered melamine modesty panel

SUSTAINABILITY & CERTIFICATIONS



MATERIALS AND RECYCLABILITY

Panels used on X7 range are exclusively 100% made by recycled wood and respect low formaldehyde emission (CATAS certification Quality Award Formaldehyde E1). Resins used on panels and melamine paper are SVHC substances free (reported on ECHA list update to 12/01/2017)



STANDARDS

X7 range has passed the following tests, attested by **CATAS** analysis laboratory in San Giovanni al Natisone (UD).

- **D.L. 81/2008** Attestazio conformità al D.L. 81/2008
- **EN 527-1:2011** Tables and desks dimensions.
- **EN 527-2:2002, PAR 3** Safety mechanical requirements
- **EN 527-3:2003, PAR 5.3** Horizontal static load
- **EN 527-3:2003, PAR 5.2** Vertical static load
- **EN 527-3:2003, PAR 5.4** Horizontal resistance effort
- **EN 527-3:2003, PAR 5.5** Vertical resistance effort
- **EN 527-3:2003, PAR 5.1** Stability
- **EN 527-3:2003, PAR 5.6** Fall
- **EN 13721:2004** Surface reflectance
- **EN 13722:2004** Surface specular reflection
- **UNI 8594:2004** Worktops bend
- **UNI 9086:1987** Leg impact



CERTIFICATIONS

Constantly receptive to market requirements, Quadrifoglio Group pay special attention on quality and safety contents in order to provide high products and services. The Company has reached certifications UNI EN ISO 9001/2008, UNI EN ISO 14001/2004 and BS OHSAS 18001/2007 to confirm his policy. Our products are certified and ensured by FSC™ and ECOLOGICAL PANEL.

COMPANY WITH
MANAGEMENT SYSTEM
CERTIFIED BY DNV GL
= ISO 9001 =
= ISO 14001 =
= OHSAS 18001 =



GREEN ENERGY

The Company had installed the photovoltaic system with 4.500 solar panels in a 7.350 m² surface that covers almost entirely the factory. The photovoltaic is able to produce 1Mw of a quiet green energy, that does not harm the environment and is waste-free. With his high production capacity the photovoltaic allows us to reduce emissions in the atmosphere of all those polluting substances and to those that contribute to the greenhouse effects. Consequently, such measures make us save every year 180 tonne of petrol oil, 440 tonne of CO₂, 514kg of sulphur dioxide, 448 kg of nitrogen oxide and 23kg of dust.



TRANSPORT

Packaging is reduced in order to decrease volumes. Goods collections are responsibly managed and organised with the aim of optimise transports, reducing atmosphere emissions.