

X3

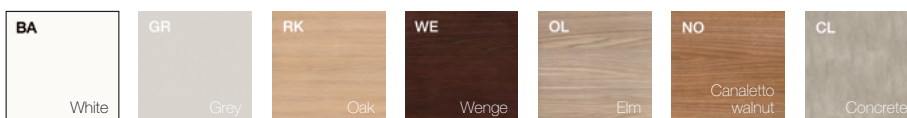


SPECIFICATION SHEET

WORKTOPS

25mm easy to clean scratch-resistant anti-reflective melamine faced chipboard (MFC) finished with 2mm matching straight ABS impact resistant edges. Panel density: 670/730 kgs per cubic meter.

Finish options:

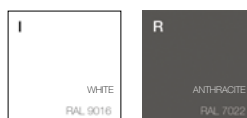


METAL FRAME

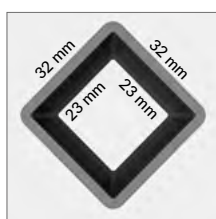
Epoxy powder coated steel frame.



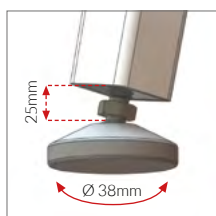
Finish options:



Beams are always supplied in silver.

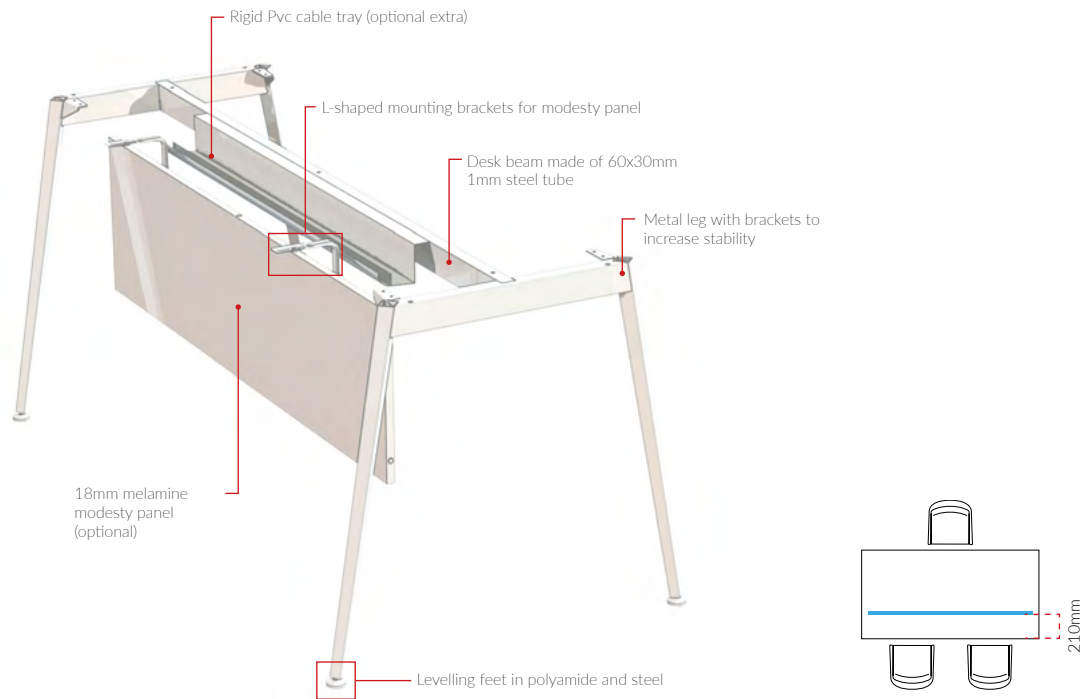


Tapered legs made of 2mm steel tube, cross section tapers from 23x23mm (lower end) to 32x32mm (upper end).

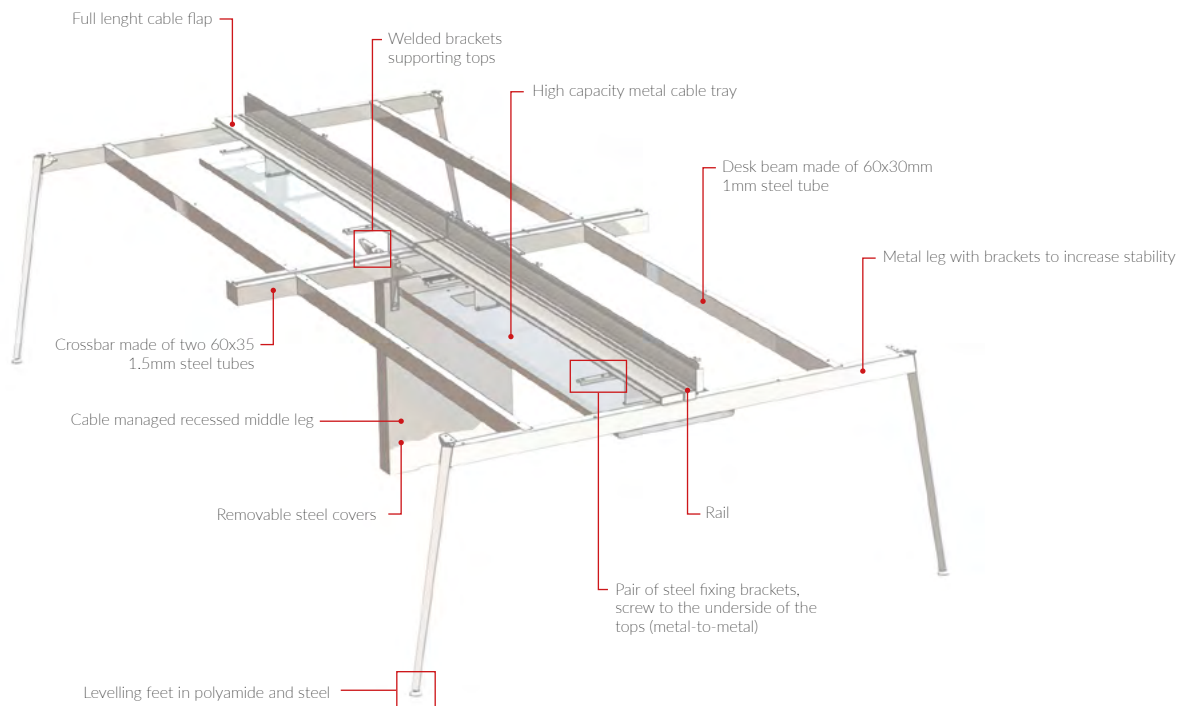


Steel articulating 0-25mm adjustable levelling feet with black polyamide molded scratch-resistant base, 38mm diameter.

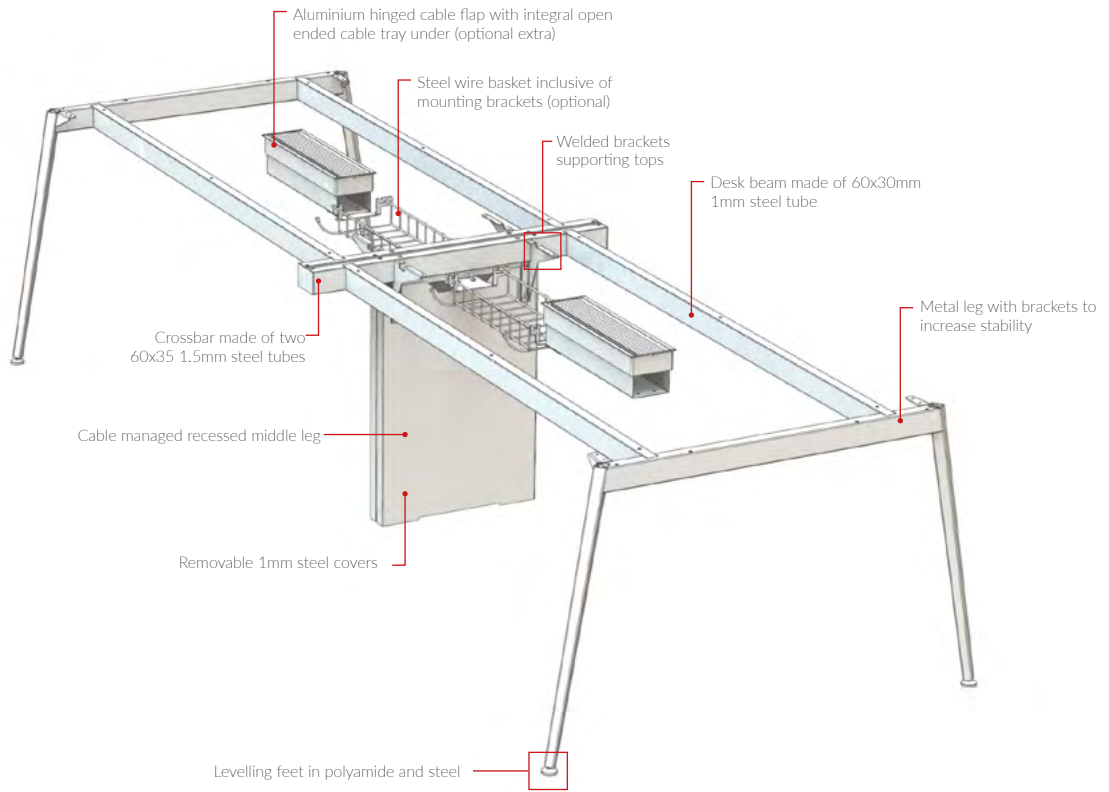
SINGLE DESKS



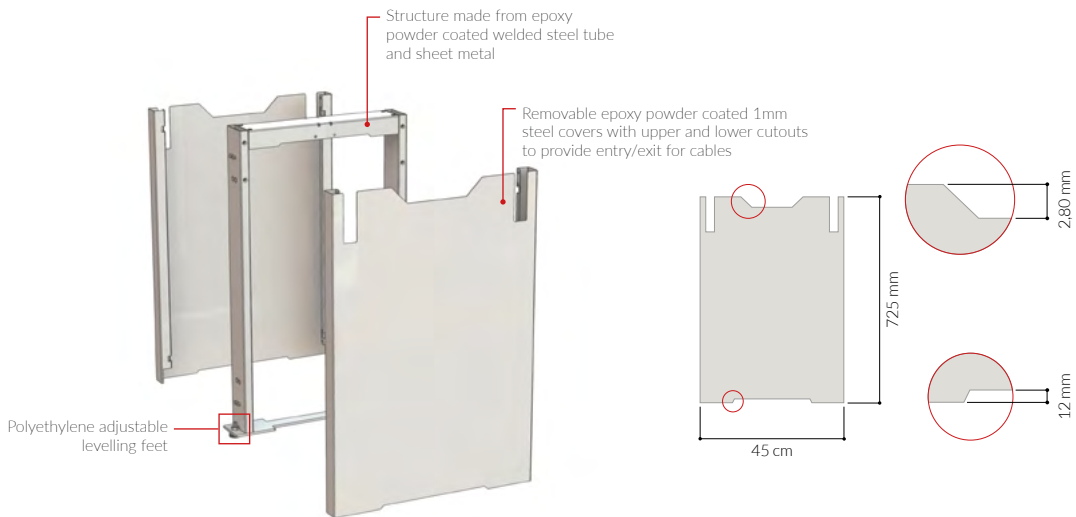
BENCH DESK



MEETING/BOARDROOM TABLES

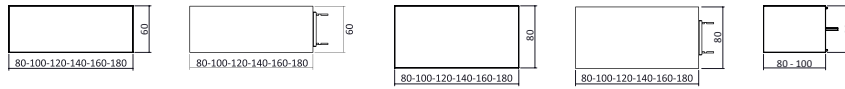


DETAIL: CABLE MANAGED MIDDLE LEG FOR BENCH DESKS AND TABLES

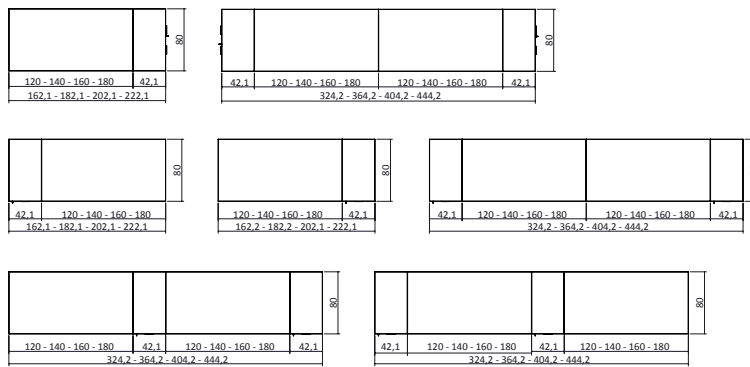


LAYOUT

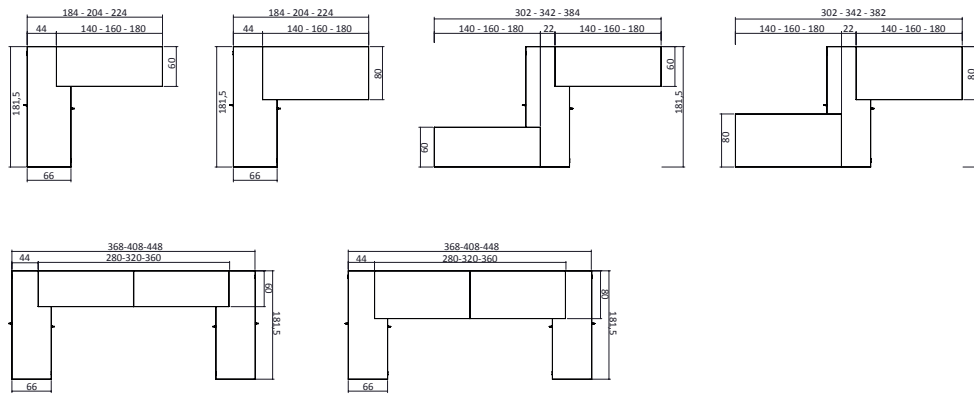
SINGLE DESKS



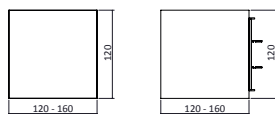
DESKS WITH INTEGRATED DESK HIGH CABINETS/PEDESTALS



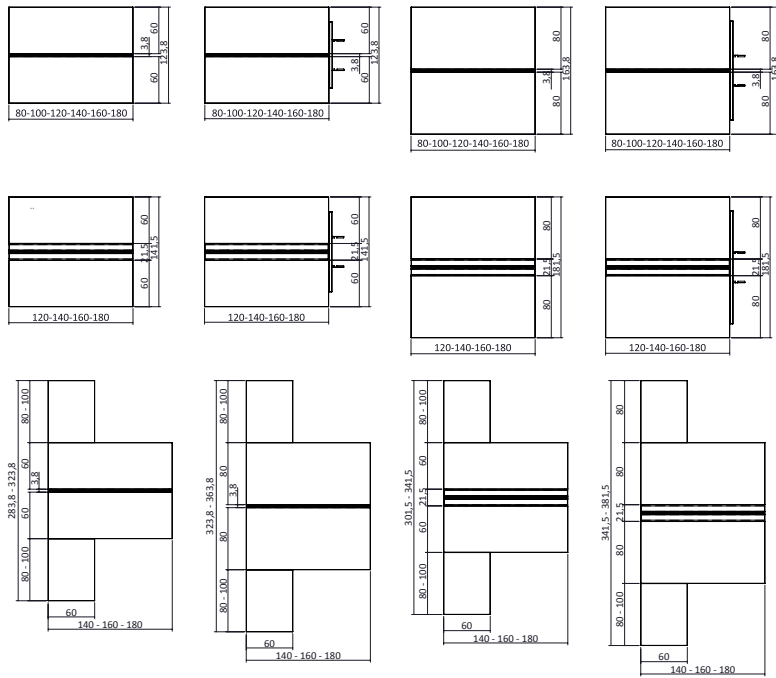
DESKS SUPPORTED ON LOW CREDENZA UNITS



MEETING TABLES



BENCH DEKS

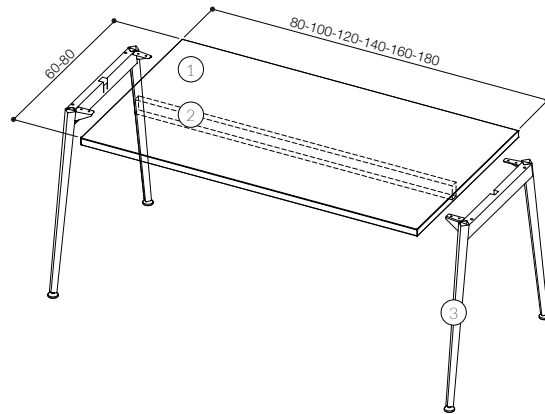


TECHNICAL FEATURES

INDIVIDUAL DESKS

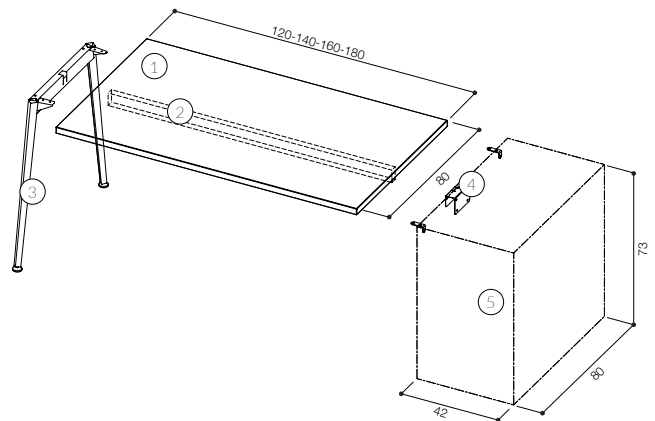
SINGLE DESK

- 1) 25mm desktop
- 2) Static beams
- 3) Metal leg



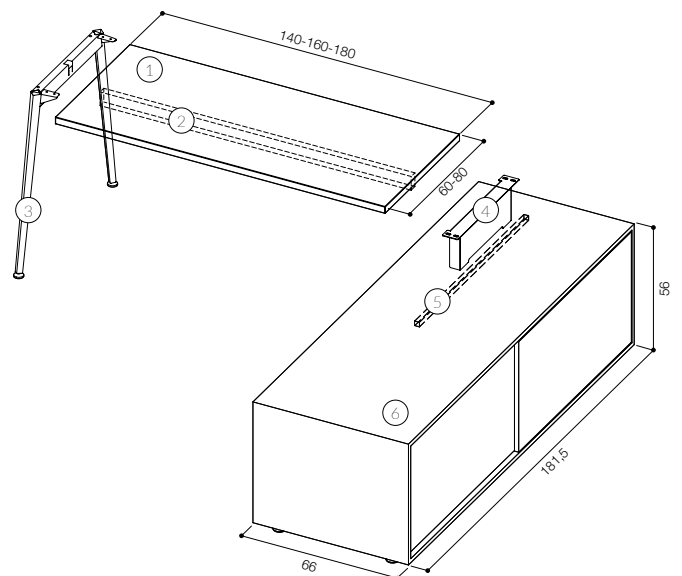
DESKS WITH INTEGRATED DESK HIGH CABINETS/PEDESTALS

- 1) 25mm desktop
- 2) Static beams
- 3) Metal leg
- 4) Linking brackets with integrated cabinet/pedestal
- 5) Integrated cabinet/pedestal



DESK SUPPORTED ON A LOW CREDENZA UNIT

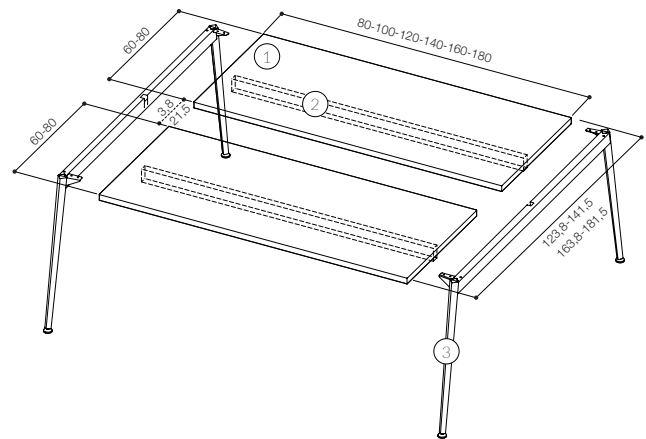
- 1) 25mm desktop
- 2) Static beams
- 3) Metal leg
- 4) X3 short leg supported on the low credenza unit
- 5) Metal beam to prevent bending of the credenza top
- 6) Low credenza unit



BENCHING

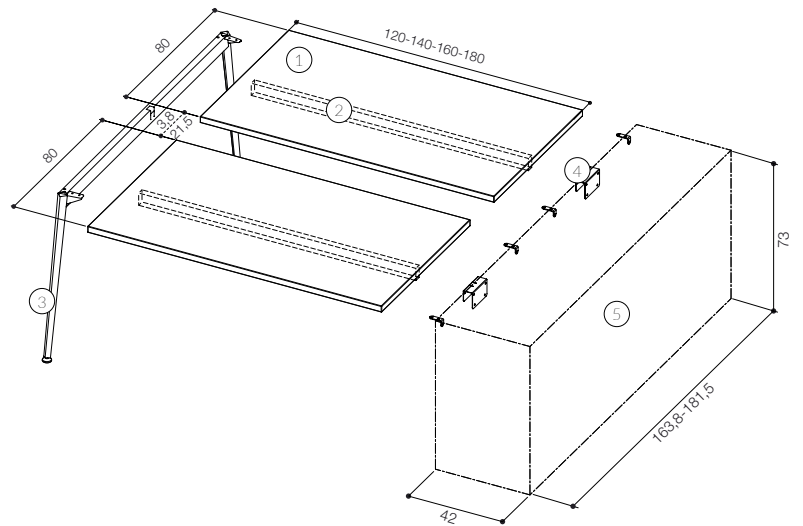
BENCH DESKS

- 1) 25mm desktop
- 2) Static beams
- 3) Metal leg



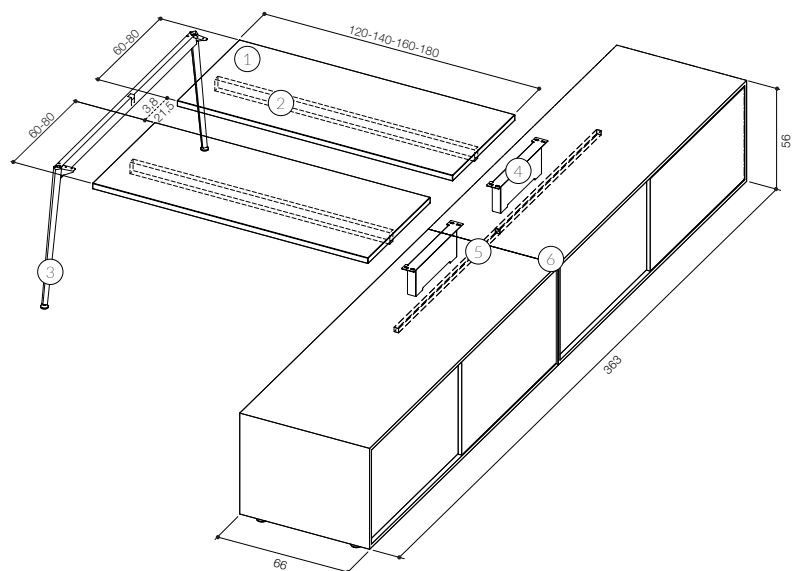
BENCH DESKS WITH INTEGRATED DESK HIGH CABINETS/PEDESTALS

- 1) 25mm desktop
- 2) Static beams
- 3) Metal leg
- 4) Linking brackets with integrated cabinet/pedestal
- 5) Integrated cabinets/pedestals



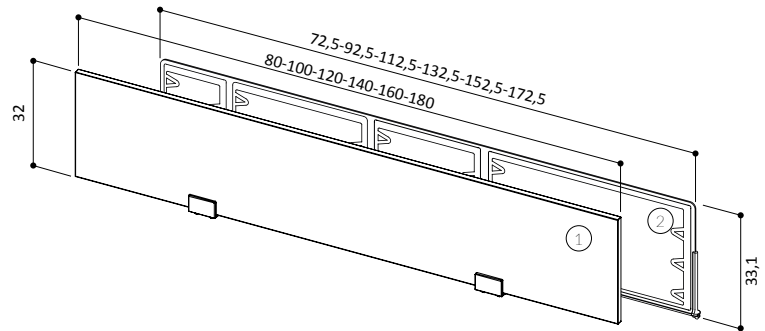
BENCH DESK SUPPORTED ON LOW CREDENZA UNITS

- 1) 25mm desktop
- 2) Static beams
- 3) Metal leg
- 4) X3 short leg supported on the low credenza unit
- 5) Metal beam to prevent bending of the credenza top
- 6) Low credenza units

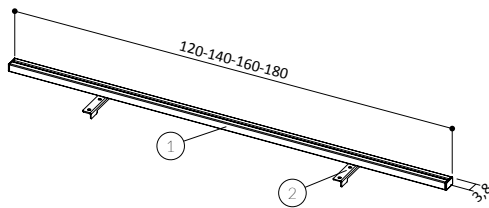


FRAMELESS SCREENS SUPPORTED ON DESK RAIL, CABLE MANAGEMENT

- 1) Melamine frameless screen / fabric covered frameless screen / etched glass frameless screen - includes two U-shaped mounting brackets for fitting to desk rails
- 2) Acoustic frameless screen made of fabric covered thermoformed polyester fibre - includes two mounting brackets for fitting to desk rails

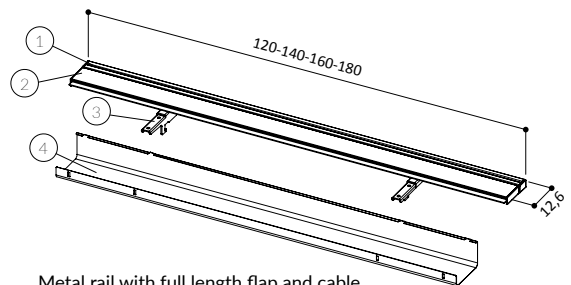
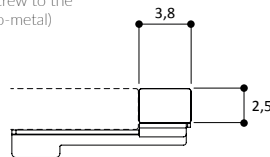


OPTIONS FOR SINGLE & BENCH DESKS (a frameless screen may be optionally fitted to the rail)



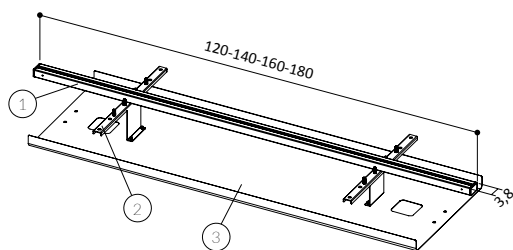
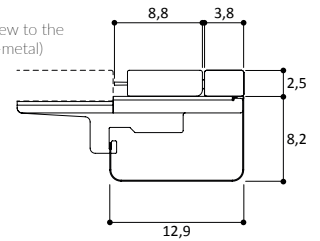
Metal rail for single desks or for bench desks with 38mm middle gap

- 1) Rail
- 2) Pair of steel fixing brackets, screw to the underside of the top (metal-to-metal)



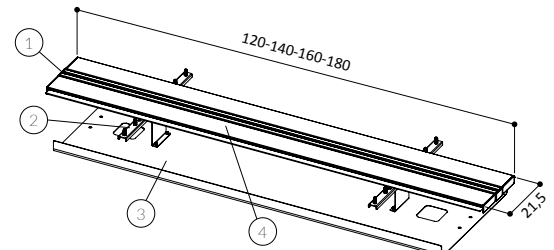
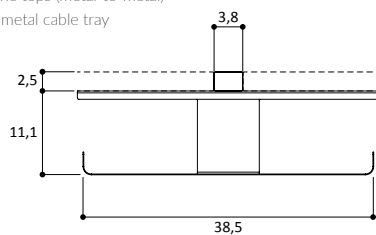
Metal rail with full length flap and cable tray for single desks

- 1) Rail
- 2) Full length cable flap
- 3) Pair of steel fixing brackets, screw to the underside of the top (metal-to-metal)
- 4) Metal cable tray



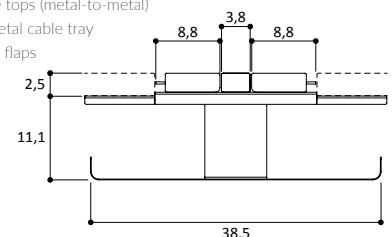
Metal rail with high capacity cable tray for bench desks with 38mm middle gap

- 1) Rail
- 2) Pair of steel fixing brackets, screw to the underside of the tops (metal-to-metal)
- 3) High capacity metal cable tray



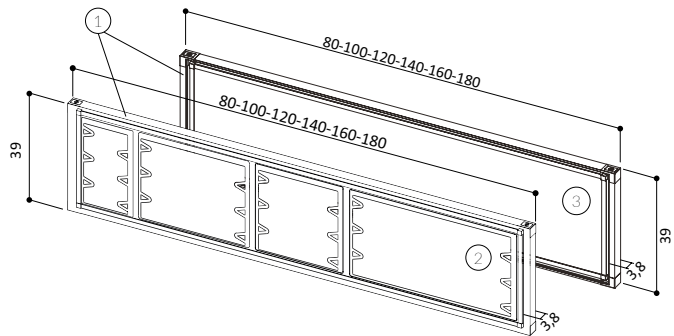
Metal rail with two full length flaps and high capacity cable tray for bench desks with 215mm middle gap

- 1) Rail
- 2) Pair of steel fixing brackets, screw to the underside of the tops (metal-to-metal)
- 3) High capacity metal cable tray
- 4) Full length cable flaps



FRAMED SCREENS AND CABLE MANAGEMENT

- 1) Aluminium frame
- 2) Acoustic framed screen, surface made of fabric covered acoustic thermoformed polyester fibre
- 3) Regular framed screens feature six surface options:
 - 8mm MFC panel;
 - fabric covered honeycomb core sandwiched between MDF panels;
 - 8mm wood effect melamine faced chipboard (MFC);
 - 8mm plywood core sandwiched between acoustic polyurethane foam sheets, fabric covered;
 - translucent pinstriped polycarbonate;
 - translucent matt white acrylic.



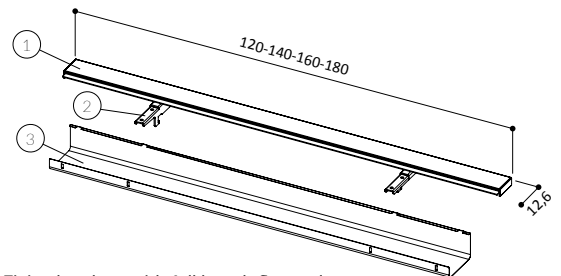
OPTIONS FOR SINGLE & BENCH DESKS (a framed screen is required in all scenarios)



Fixing brackets when no cable management is required

- 1) Pair of steel fixing brackets for framed screens, screw to the underside of the top (metal-to-metal fixing)

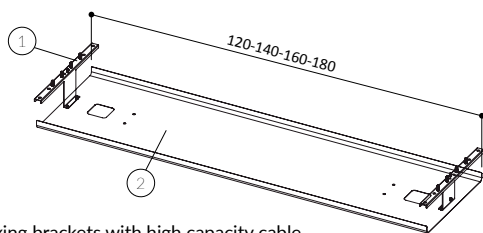
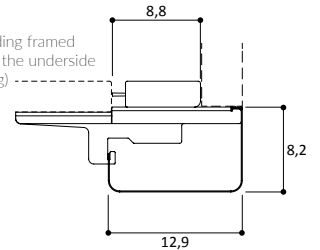
Note: framed screen required



Fixing brackets with full length flap and cable tray for single desks

- 1) Full length cable flap
- 2) Pair of steel fixing brackets holding framed screen and cable tray, screw to the underside of the top (metal-to-metal fixing)
- 3) Metal cable tray

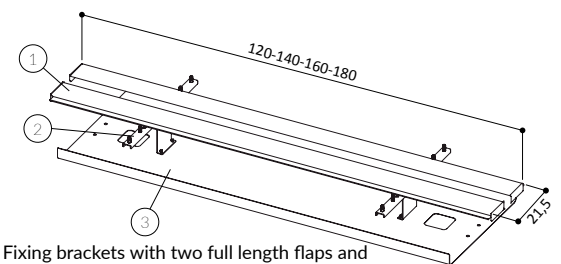
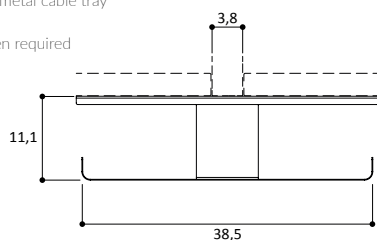
Note: framed screen required



Fixing brackets with high capacity cable tray for bench desks with 38mm middle gap

- 1) Pair of steel fixing brackets holding framed screen and high capacity cable tray, screw to the underside of the top (metal-to-metal fixing)
- 2) High capacity metal cable tray

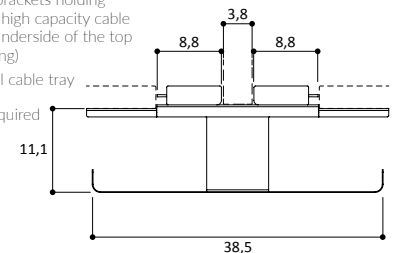
Note: framed screen required



Fixing brackets with two full length flaps and high capacity cable tray for bench desks with 215mm middle gap

- 1) Full length cable flaps
- 2) Pair of steel fixing brackets holding framed screen and high capacity cable tray, screw to the underside of the top (metal-to-metal fixing)
- 3) High capacity metal cable tray

Note: framed screen required



ACCESSORIES



Ø60mm ABS grommet



Aluminium cable flap with open ended cable tray under



PVC cable tray (optional extra)



Silver effect steel wire basket inclusive of mounting brackets



High capacity metal cable tray for bench desks



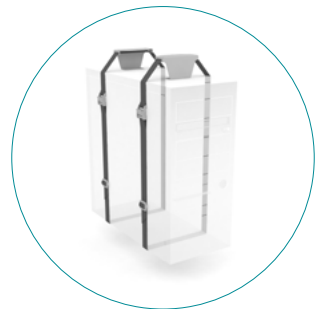
Metal tower for vertical cable management



Translucent ABS cable spine



Peel-and-stick translucent polycarbonate cable riser



"Strap" CPU holder



Tool bar and trays/pen pots



Melamine modesty panel





SUSTAINABILITY & CERTIFICATIONS

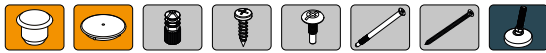
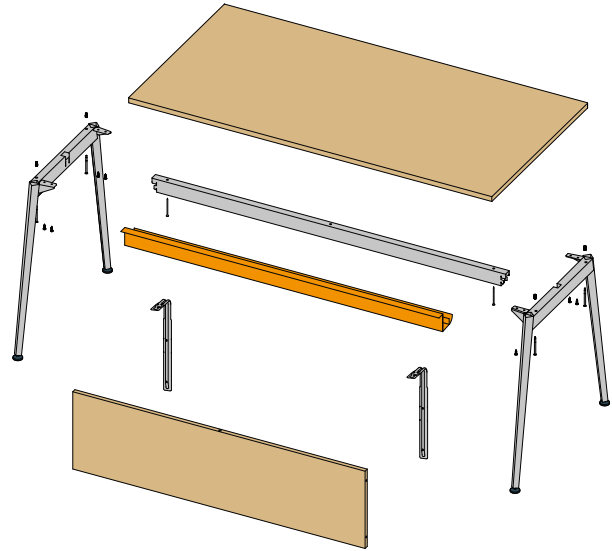


MATERIALS AND RECYCLABILITY

Panels used on X3 range are exclusively 100% made by recycled wood and respect low formaldehyde emission (CATAS certification Quality Award Formaldehyde E1). Resins used on panels and melamine paper are SVHC substances free (reported on ECHA list update to 12/01/2017)

DESK WITH METAL FRAME

	POST-CONSUMER RECYCLABLE
 Wood	100%
 Plastic	100%
 Metal	100%
 Mixed	If disposed of in a specialised facilities





CERTIFICATES

Constantly receptive to market requirements, Quadrifoglio Group pay special attention on quality and safety contents in order to provide high products and services. The Company has reached certifications UNI EN ISO 9001/2008, UNI EN ISO 14001/2004 and BS OHSAS 18001/2007 to confirm his policy. Our products are certified and ensured by FSC™ and ECOLOGICAL PANEL.

COMPANY WITH
MANAGEMENT SYSTEM
CERTIFIED BY DNV GL
= ISO 9001 =
= ISO 14001 =
= OHSAS 18001 =



GREEN ENERGY

The Company had installed the photovoltaic system with 4.500 solar panels in a 7.350 m² surface that covers almost entirely the factory. The photovoltaic is able to produce 1Mw of a quiet green energy, that does not harm the environment and is waste-free. With his high production capacity the photovoltaic allows us to reduce emissions in the atmosphere of all those polluting substances and to those that contribute to the greenhouse effects. Consequently, such measures make us save every year 180 tonne of petrol oil, 440 tonne of CO₂, 514kg of sulphur dioxide, 448 kg of nitrogen oxide and 23kg of dust.



TRANSPORT

Packaging is reduced in order to decrease volumes. Goods collections are responsibly managed and organised with the aim of optimise transports, reducing atmosphere emissions.